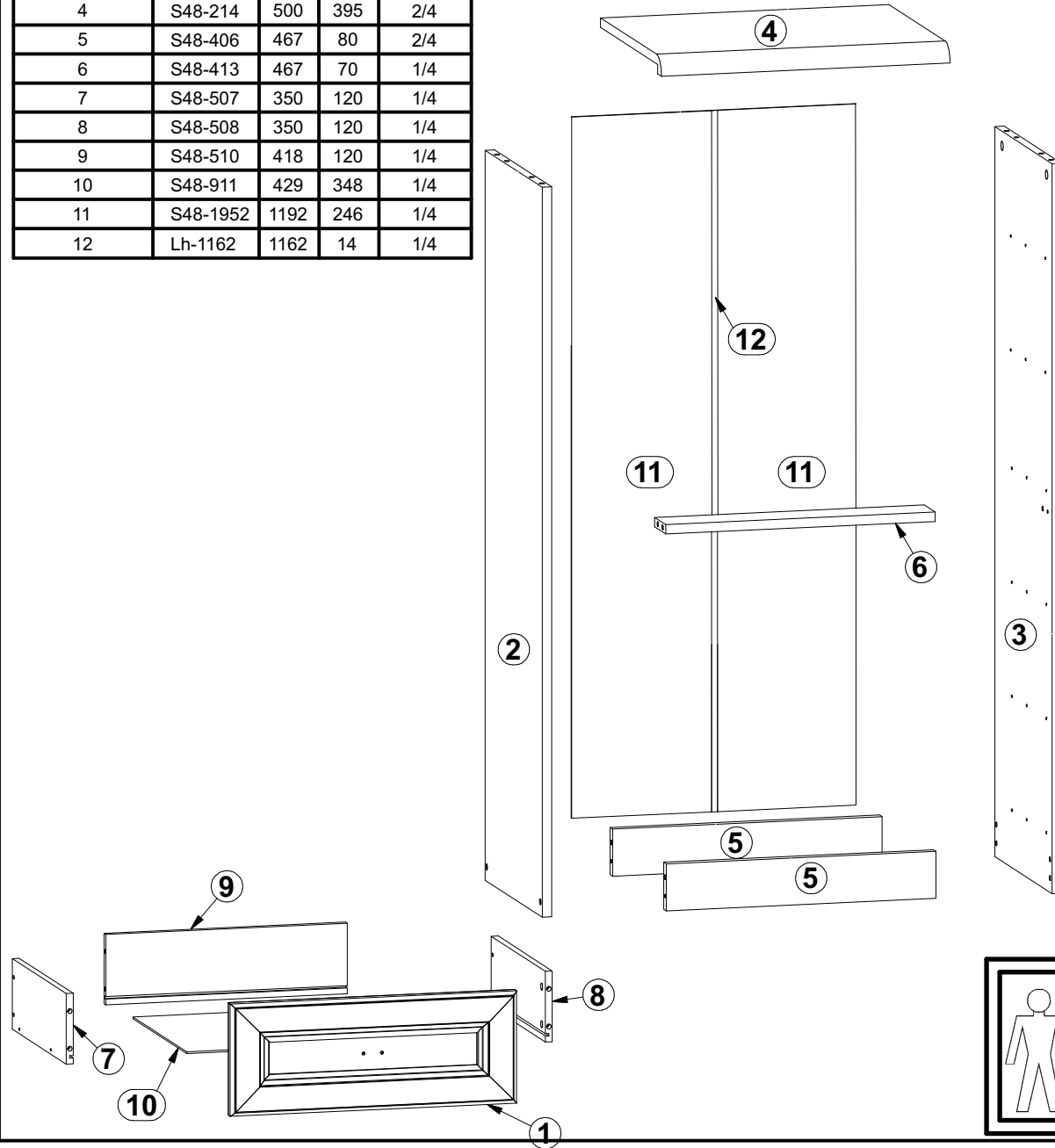
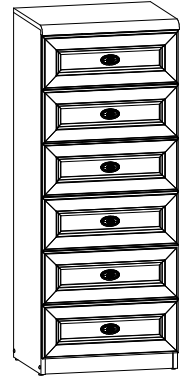


SEVILLA

KOM6S/50

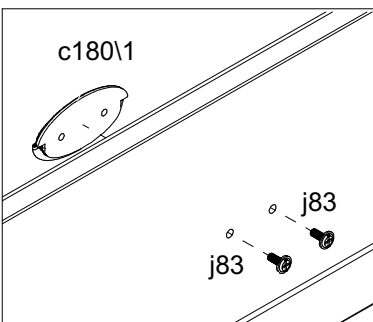
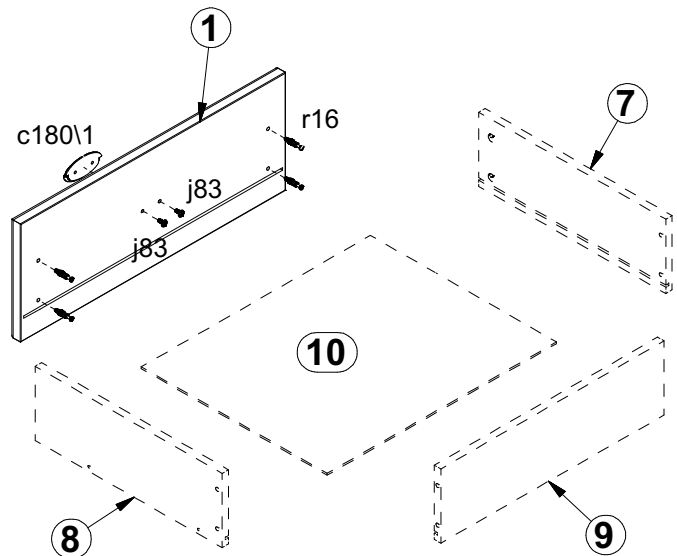
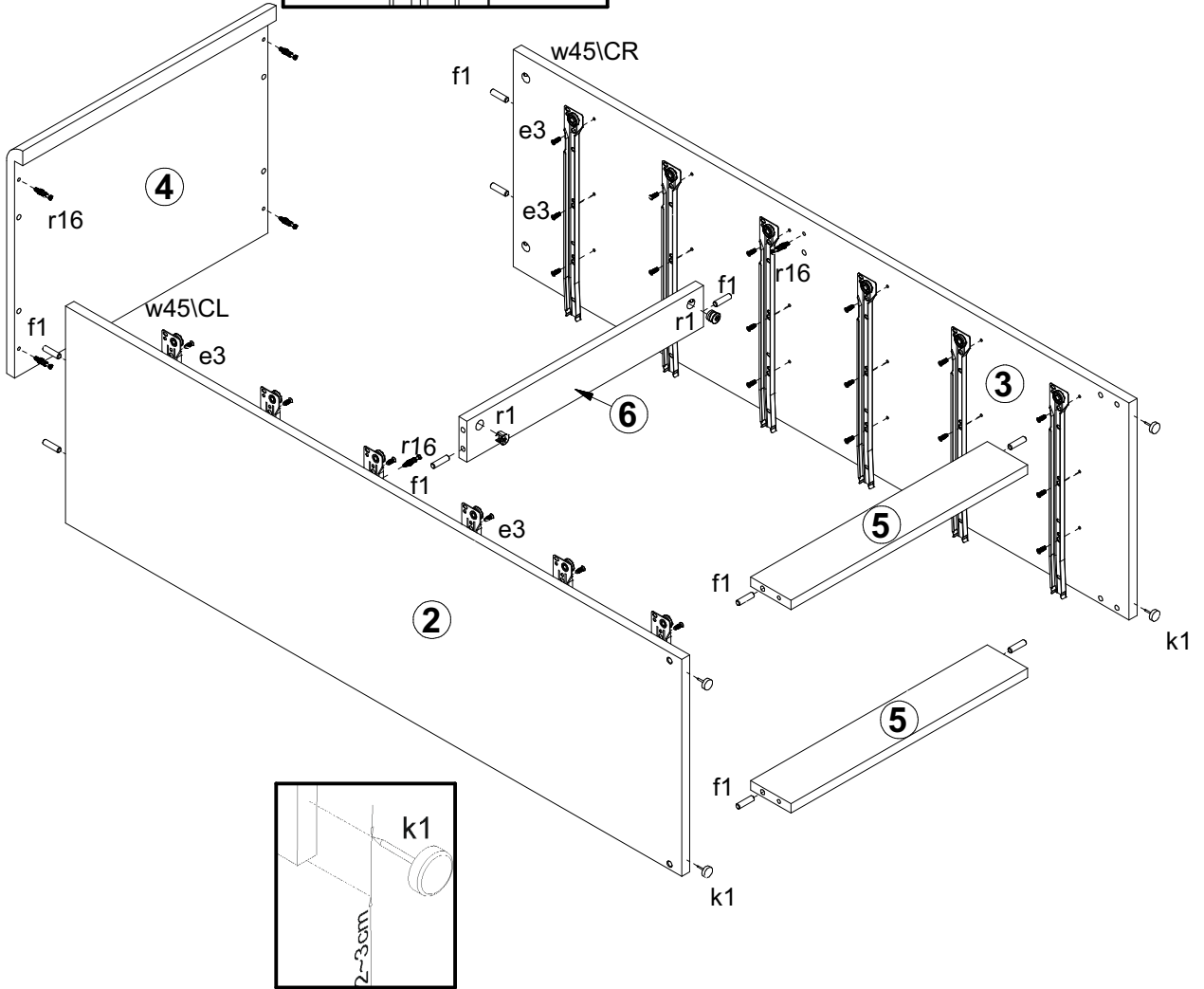
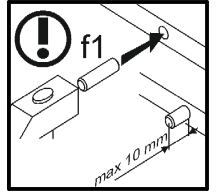
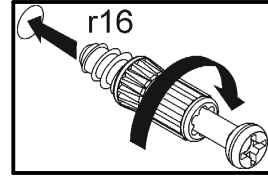
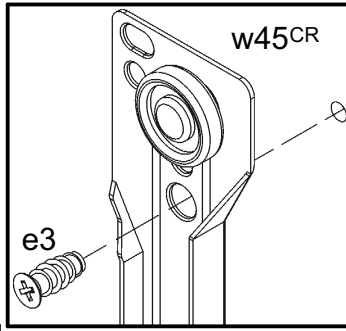


A	B	C	D	
1	S48-017	496	191	4/4
2	S48-164	1241	370	1/4
3	S48-165	1241	370	1/4
4	S48-214	500	395	2/4
5	S48-406	467	80	2/4
6	S48-413	467	70	1/4
7	S48-507	350	120	1/4
8	S48-508	350	120	1/4
9	S48-510	418	120	1/4
10	S48-911	429	348	1/4
11	S48-1952	1192	246	1/4
12	Lh-1162	1162	14	1/4

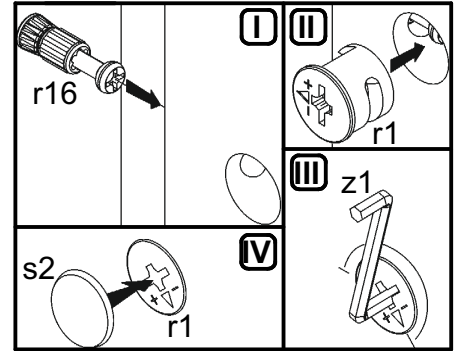
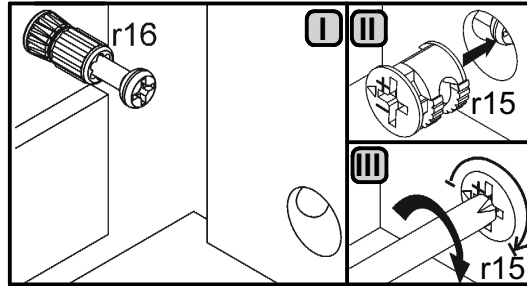
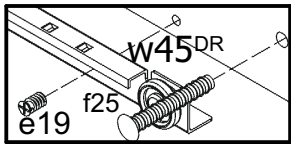
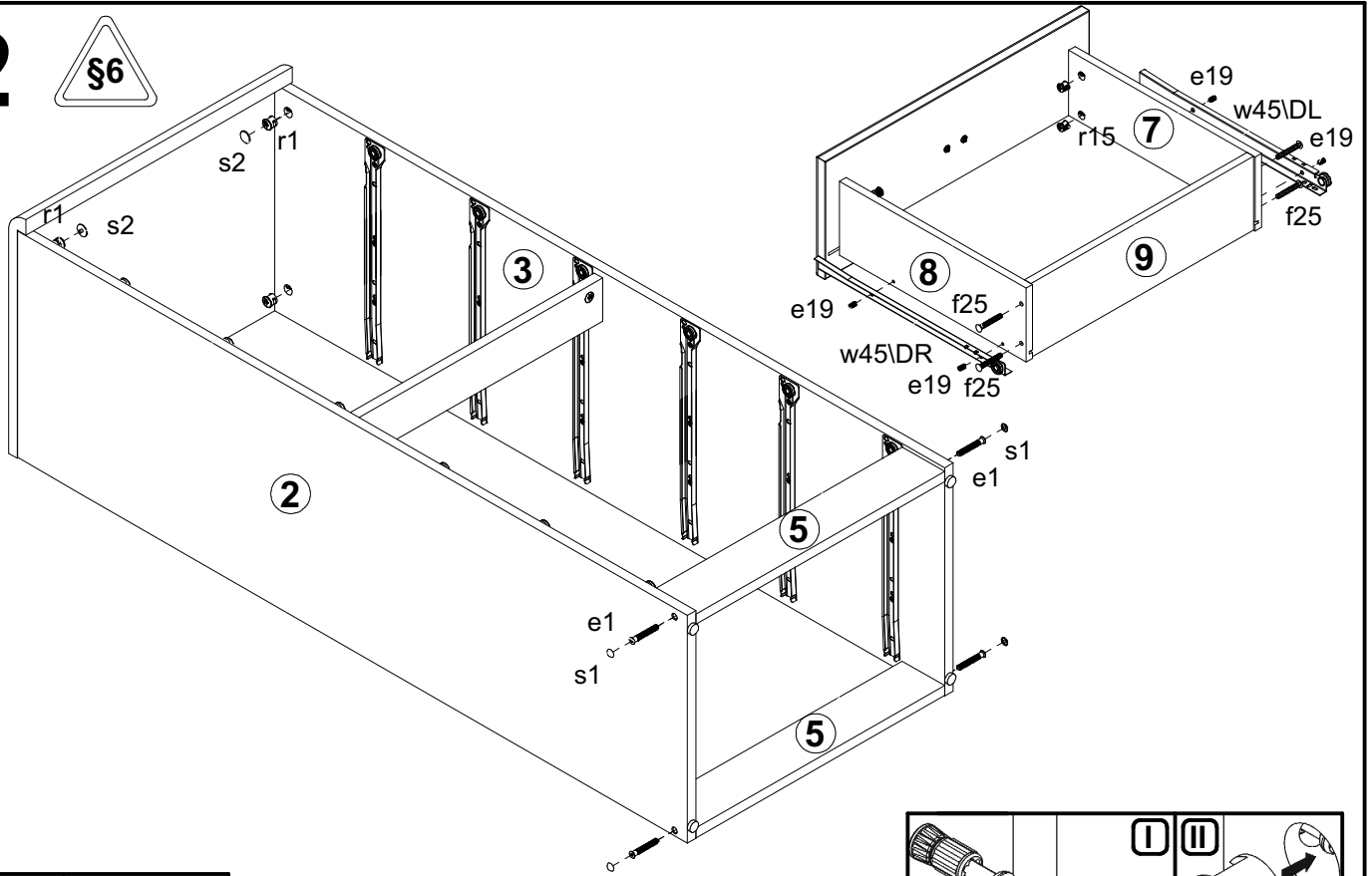


6x 32 mm c180¹	4x $\phi 7 \times 50$ mm e1	24x $\phi 5 \times 9$ mm e19	36x $\phi 6 \times 13$ mm e3	10x $\phi 8 \times 30$ mm f1	24x $\phi 6.5 \times 40$ mm f25	12x M4x16 mm j83	4x k1	35x l1
4x $\phi 3.5 \times 16$ mm p38	6x $\phi 1.5 \times 12$ mm #16 r1	24x $\phi 12 \times 10.5$ mm #12 r15	30x r16	4x s1	2x $\phi 16$ s2	6x 350 mm w45^{CL}	6x 350 mm w45^{CR}	6x 350 mm w45^{DL}
6x 350 mm w45^{DR}	1x z1	1x n26¹	1x $\phi 3.5 \times 16$ mm p38					

1



2



3

